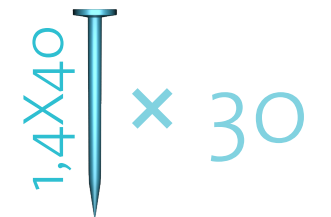
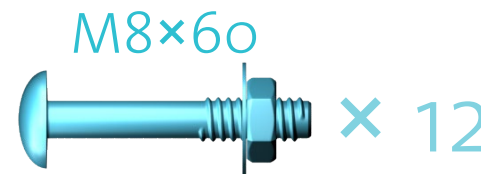
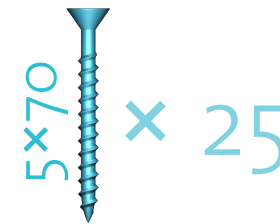
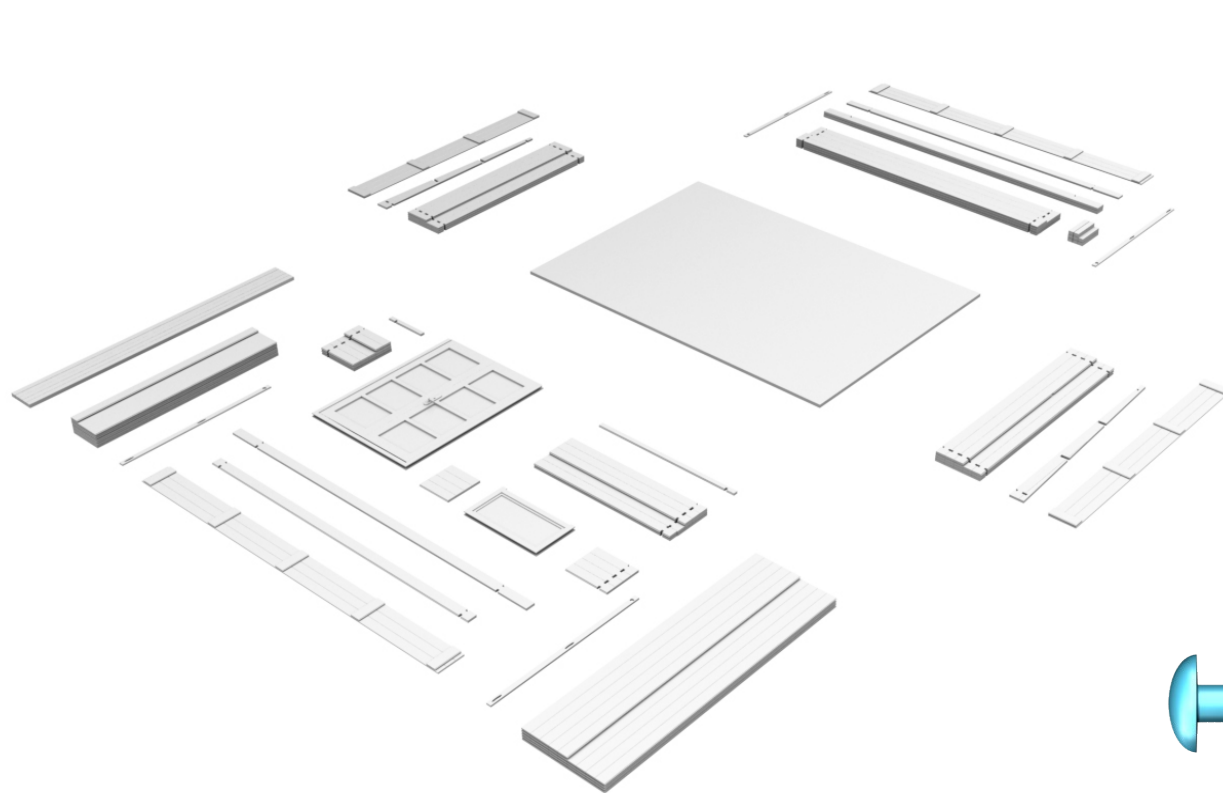
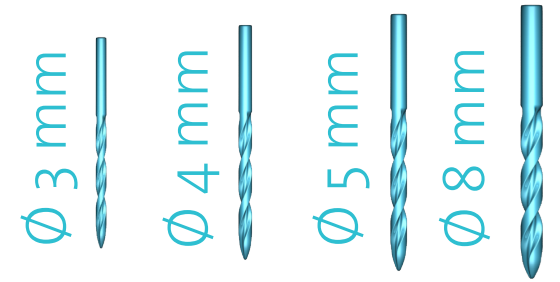
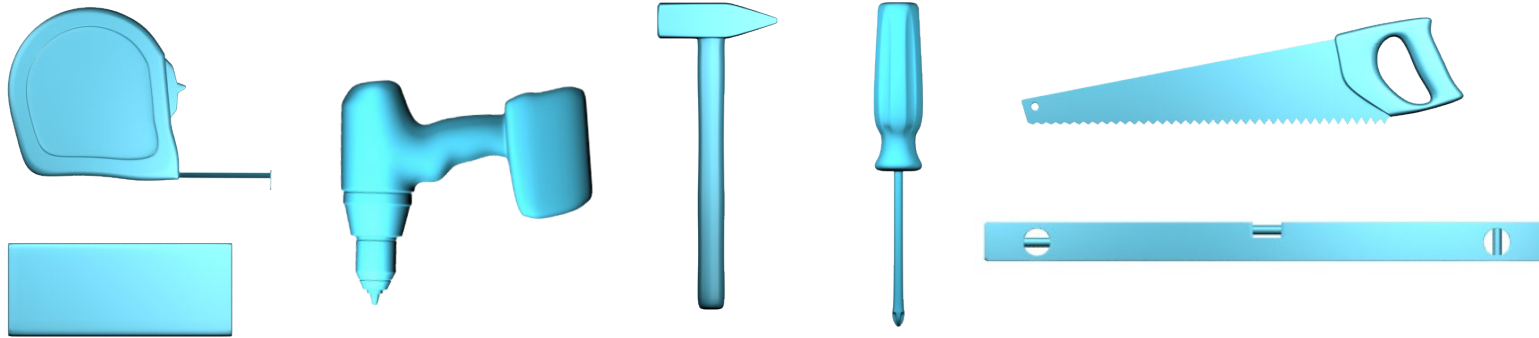


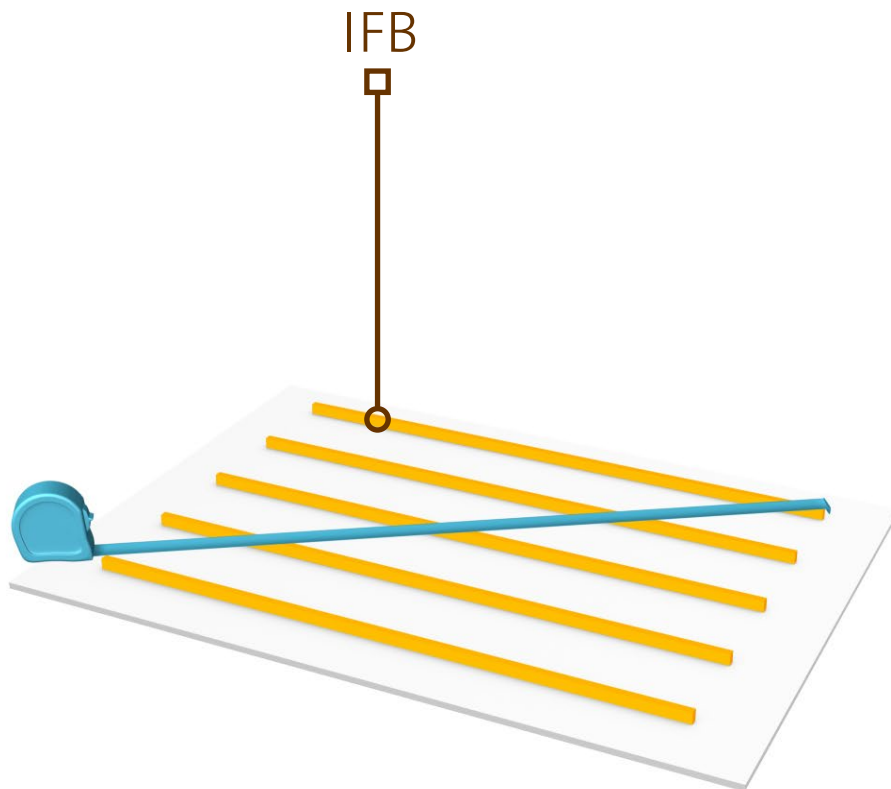
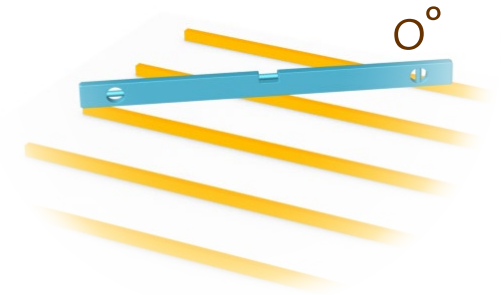
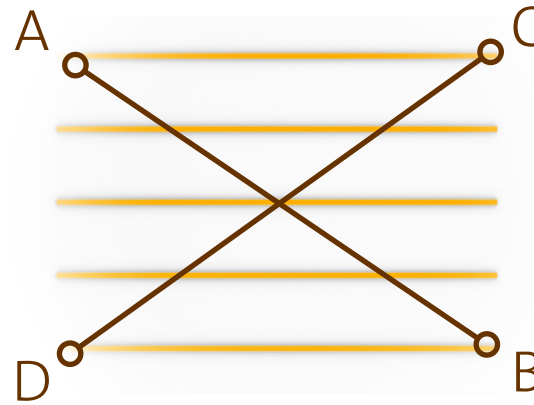
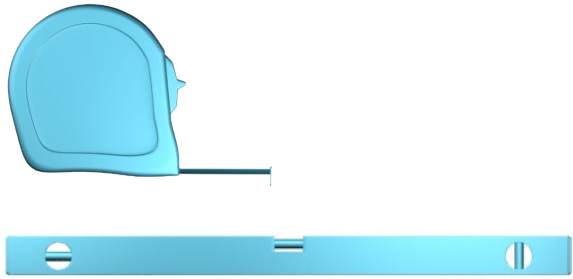
PREPARE THE GROUND, UNWRAP THE PACKAGE,  
LAY OUT THE COMPONENTS, FIND THE TOOLS.

# CHRISTINA 28



LAY OUT THE FOUNDATION BEAMS AND SQUARE IT BY MEASURING FROM CORNER TO CORNER.

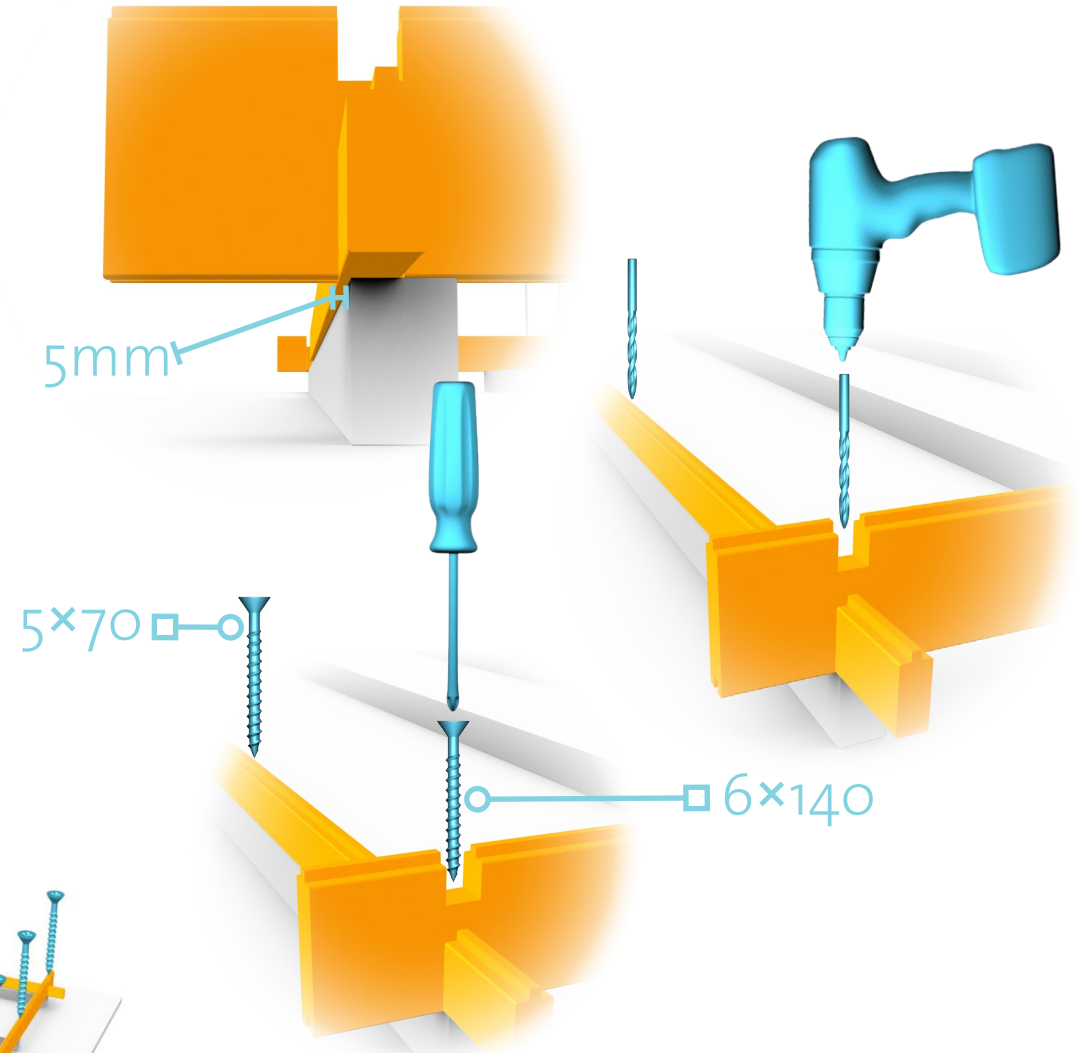
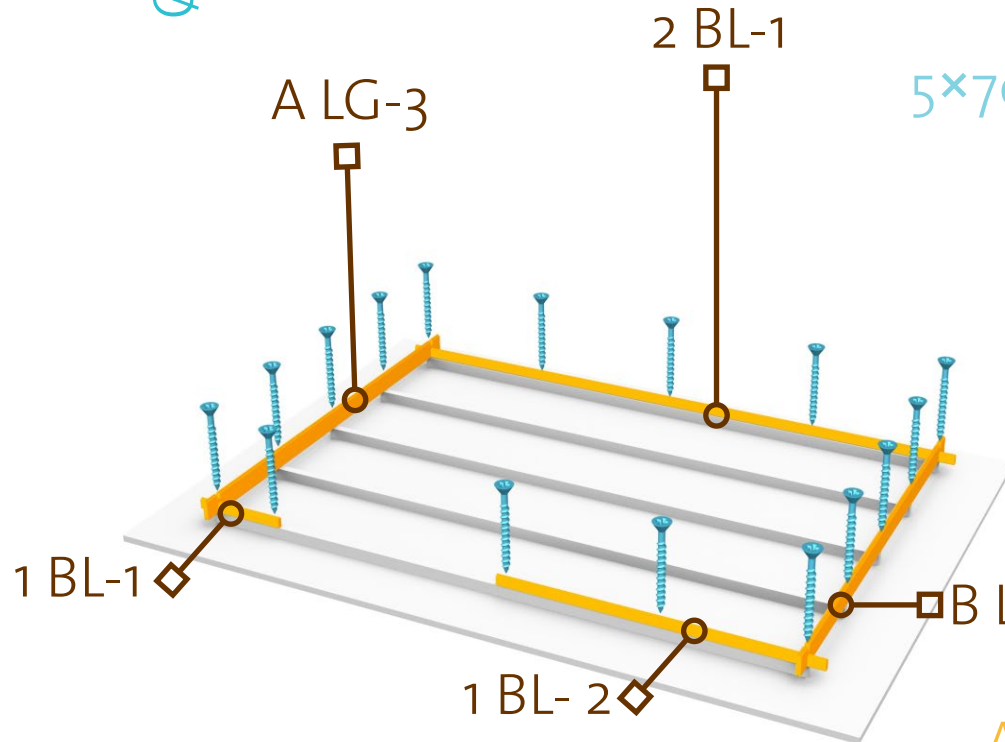
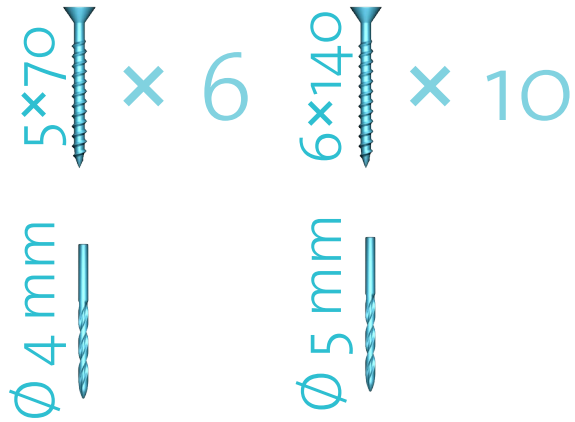
CHRISTINA 28



MAKE SURE THAT THE FOUNDATION IS INSTALLED ON A LEVEL SURFACE. CHECKING ALL DIRECTIONS, INCLUDING CORNER TO CORNER. 3%

LAY OUT THE **BOTTOM** LOGS,  
**ATTACH** TO THE FOUNDATION.

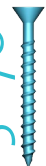
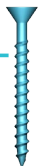


CHRISTINA 28

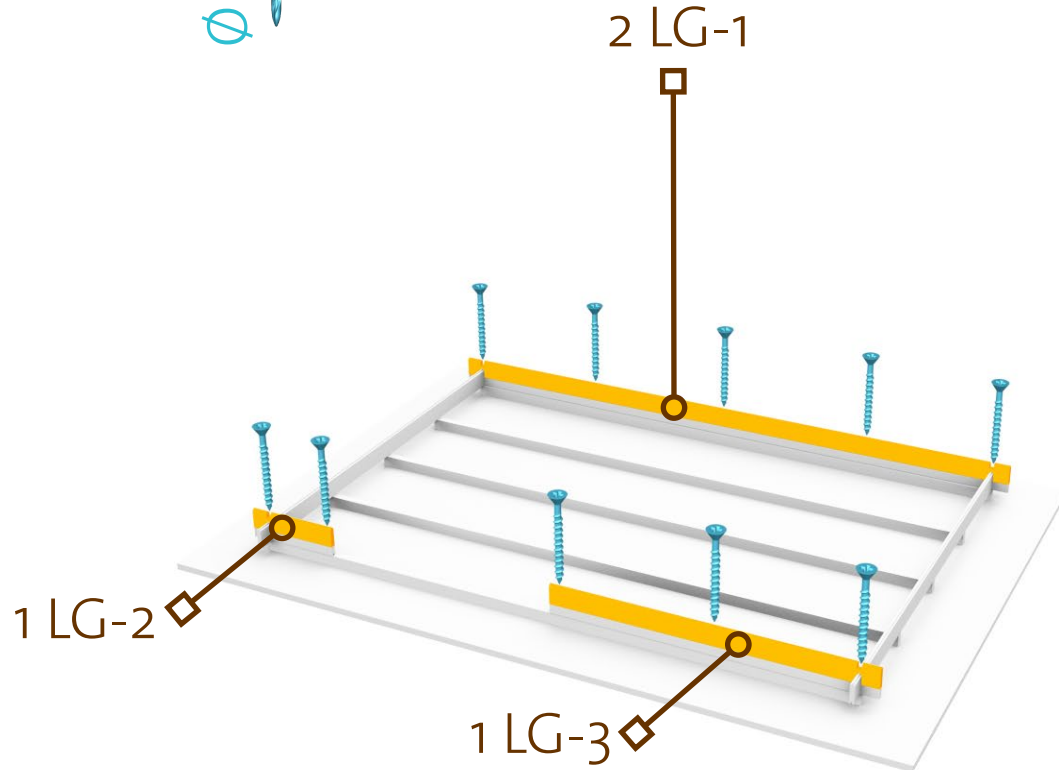
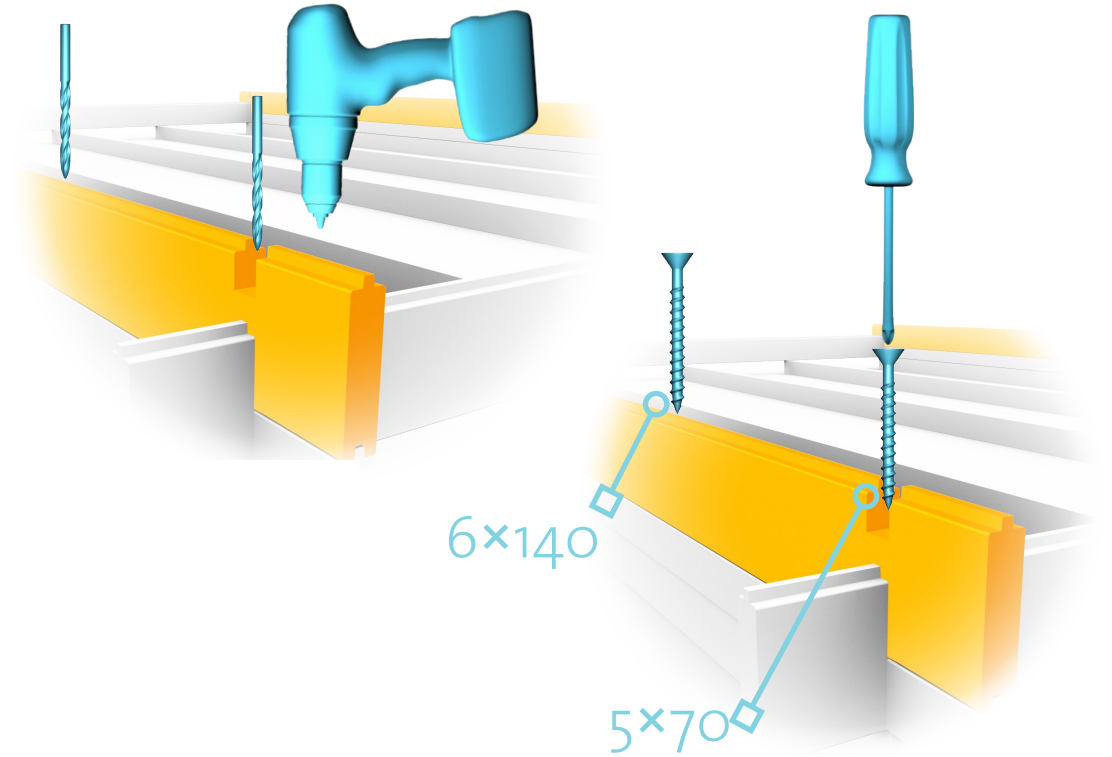


THE WALL **LOGS** WILL HANG OVER  
THE FOUNDATION **BEAMS** BY  
**APPROXIMATELY** 5MM. THIS OVERHANG  
IS DESIGNED AS A RAIN DRIP. **5%**

ATTACH THE FIRST ROW OF  
**WALL LOGS** INTO THE BOTTOM  
LOGS WITH **SCREWS**.

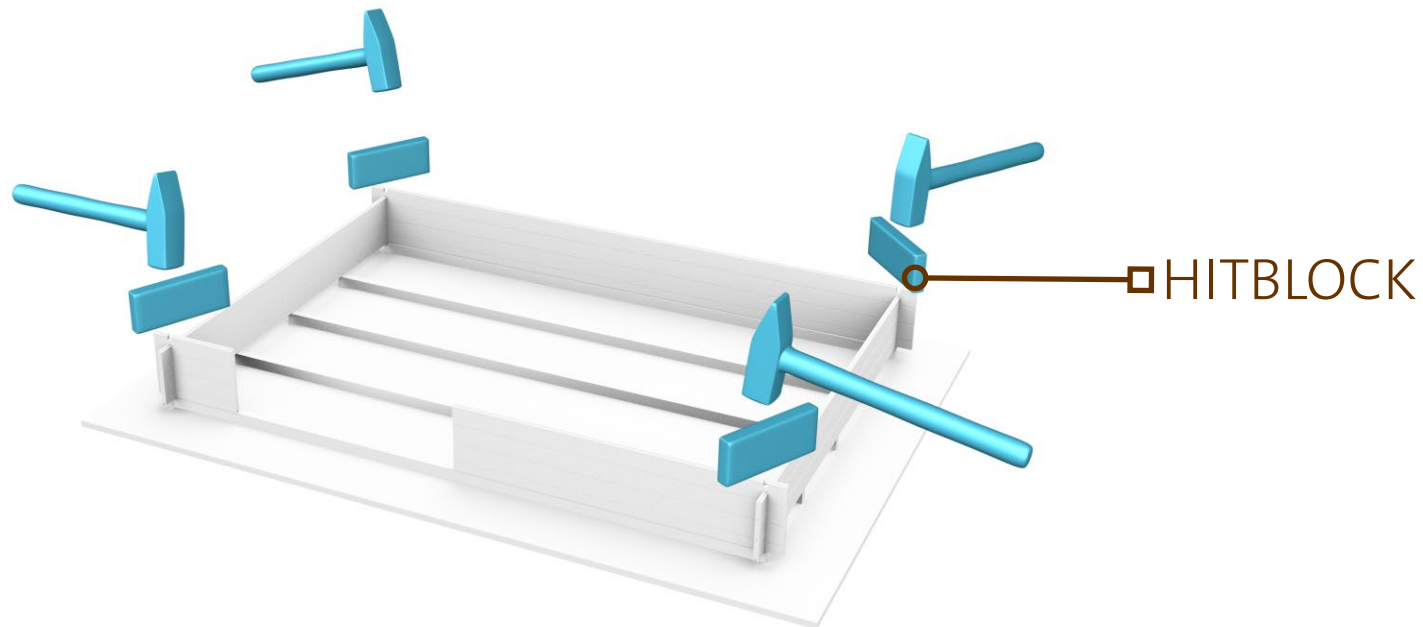
# CHRISTINA 28

$5 \times 70$    $\times 4$      $6 \times 140$    $\times 6$   
 $\varnothing 4 \text{ mm}$       $\varnothing 5 \text{ mm}$  



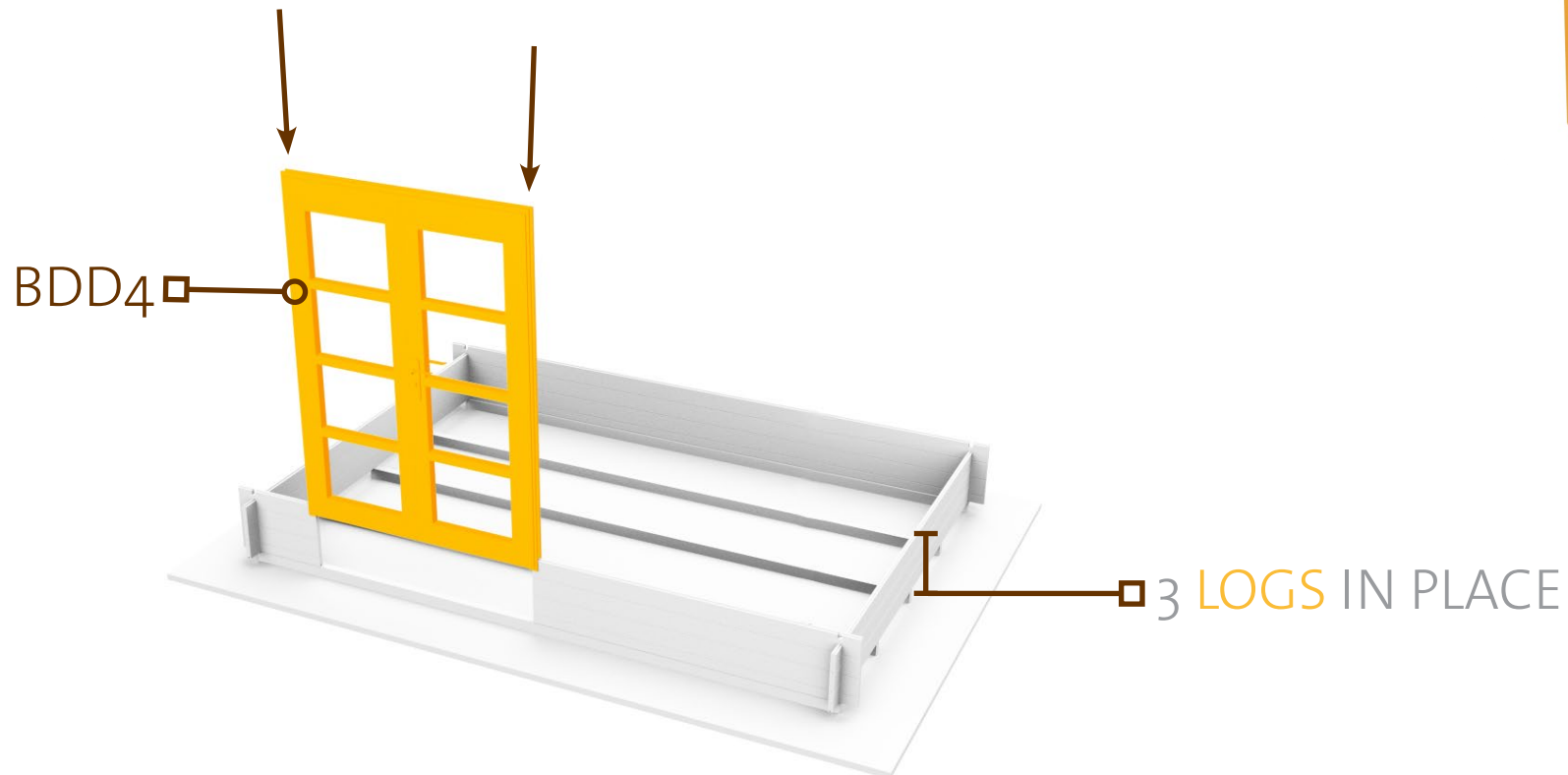
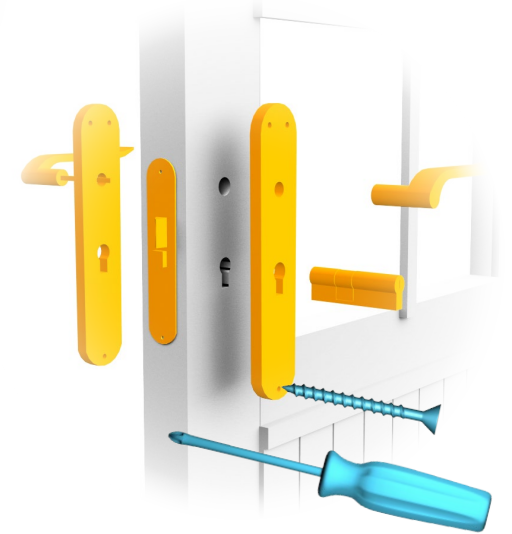
AFTER PLACING 3-4 ROWS OF WALL LOGS, TAP EACH WALL LOG IN PLACE USING A HAMMER AND THE HITBLOCK PROVIDED, TO TIGHTEN THE LOGS.

CHRISTINA 28



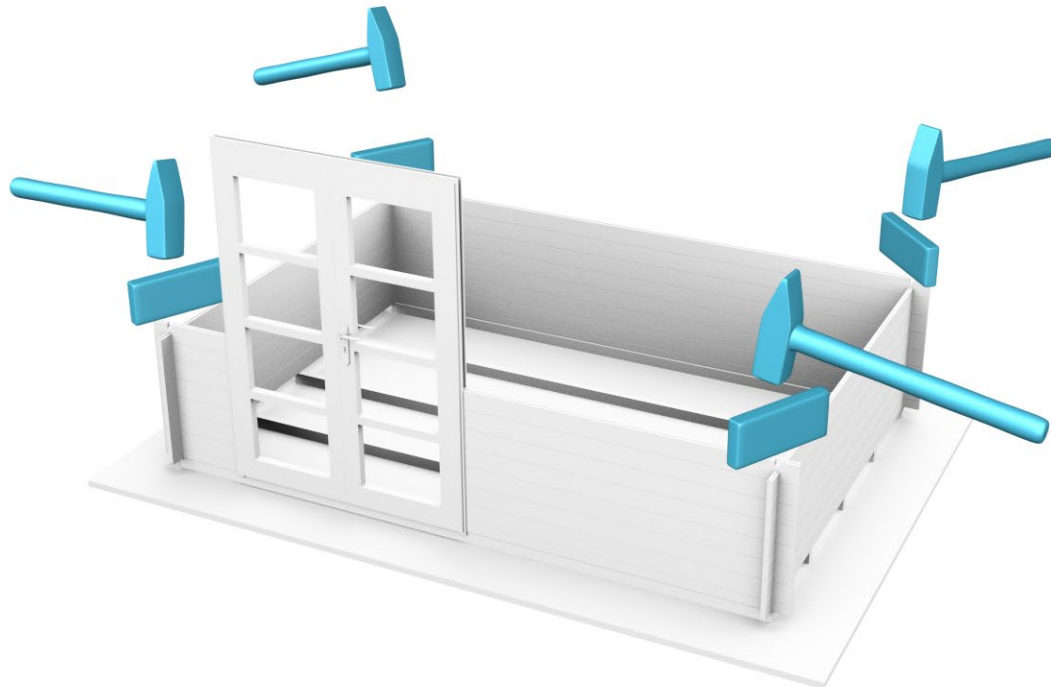
SLIDE THE DOOR IN,  
ATTACH THE HANDLE.

# CHRISTINA 28



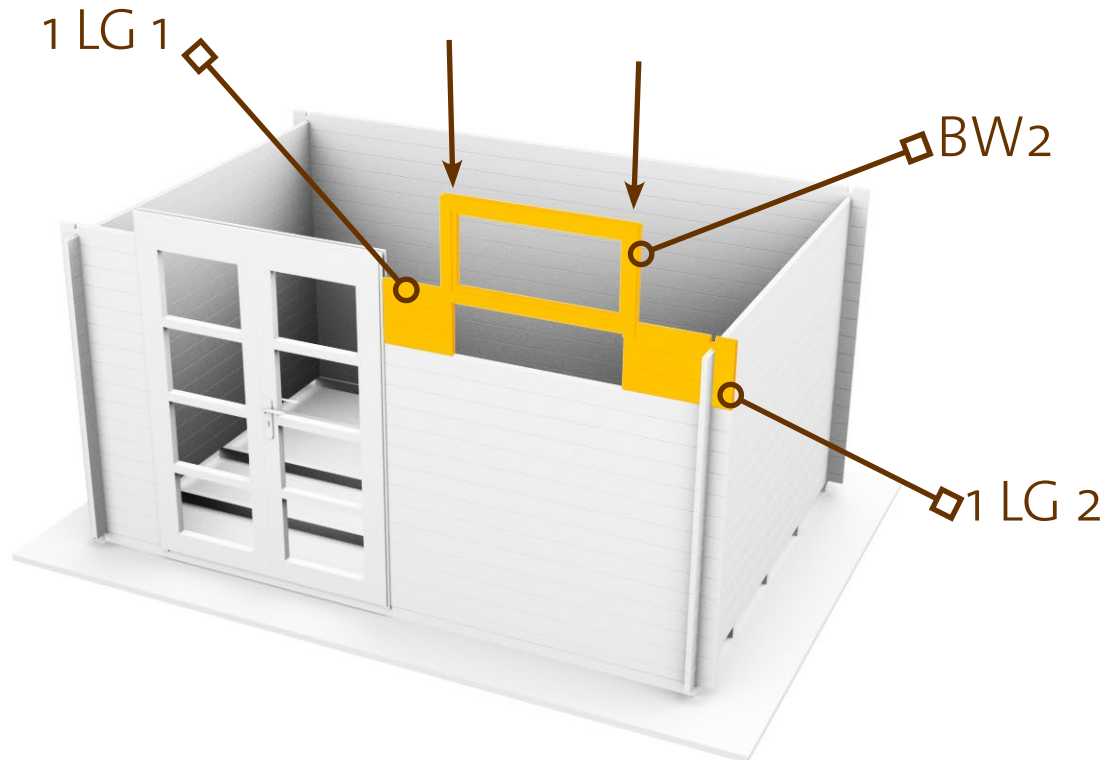
DON`T FORGET TO  
**TIGHTEN** THE LOGS AFTER  
EVERY 3-4 ROWS.

CHRISTINA 28



SLIDE THE WINDOW IN,  
ATTACH THE HANDLE.

CHRISTINA 28

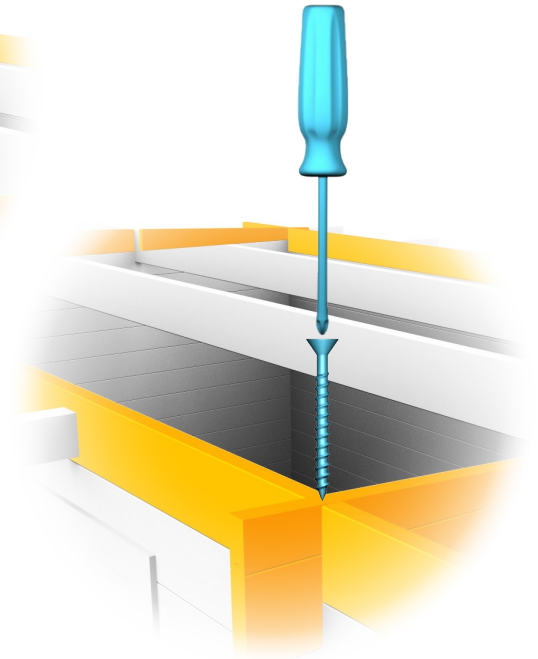
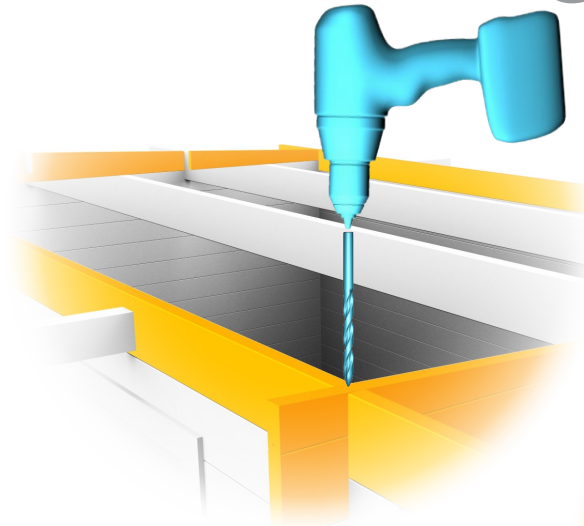
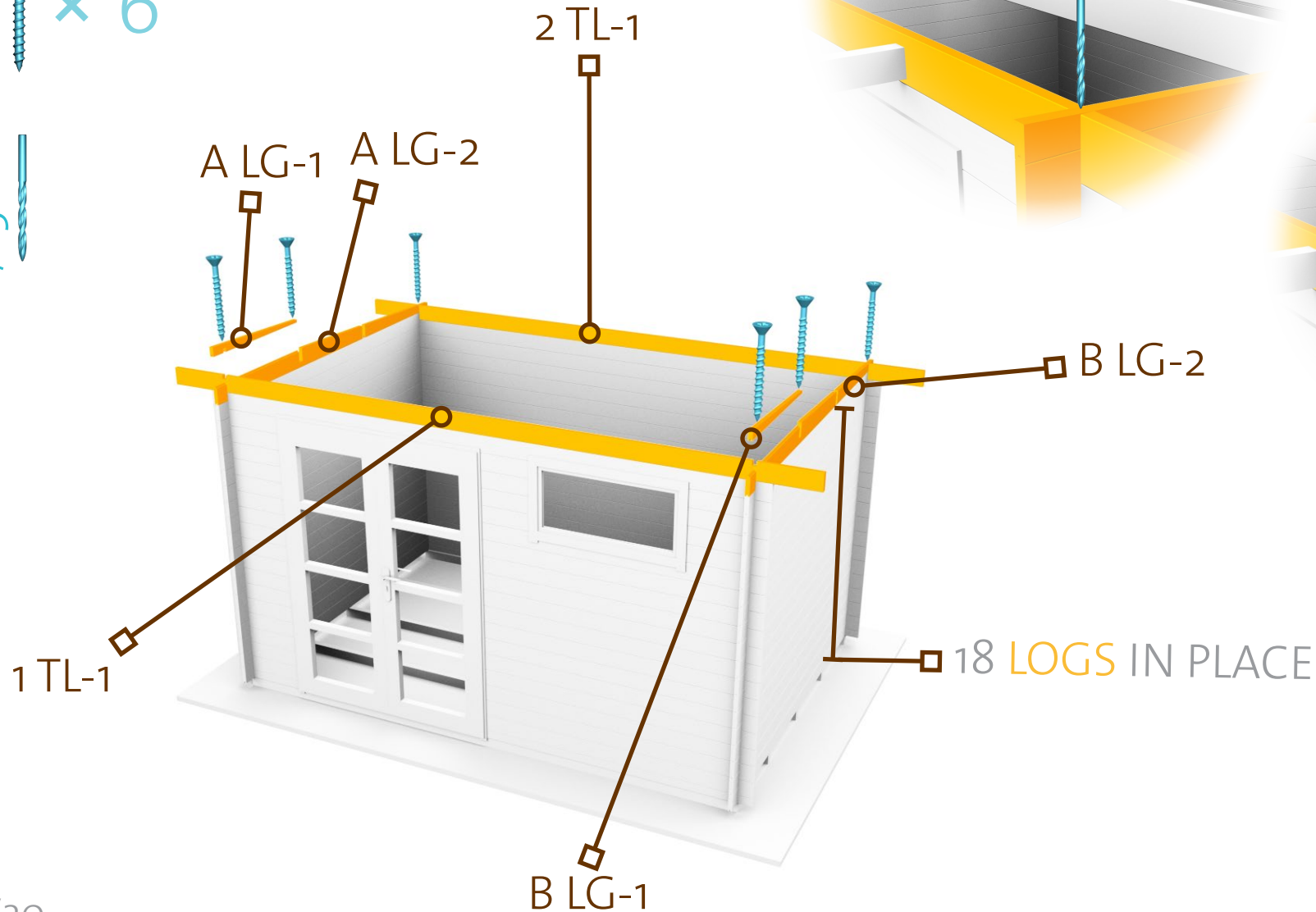




INSTALL THE GABLES WITH LONG SCREWS TO THE WALL LOGS ON THE FRONT AND REAR WALLS.

CHRISTINA 28

6x140 × 6  
Ø 5 mm

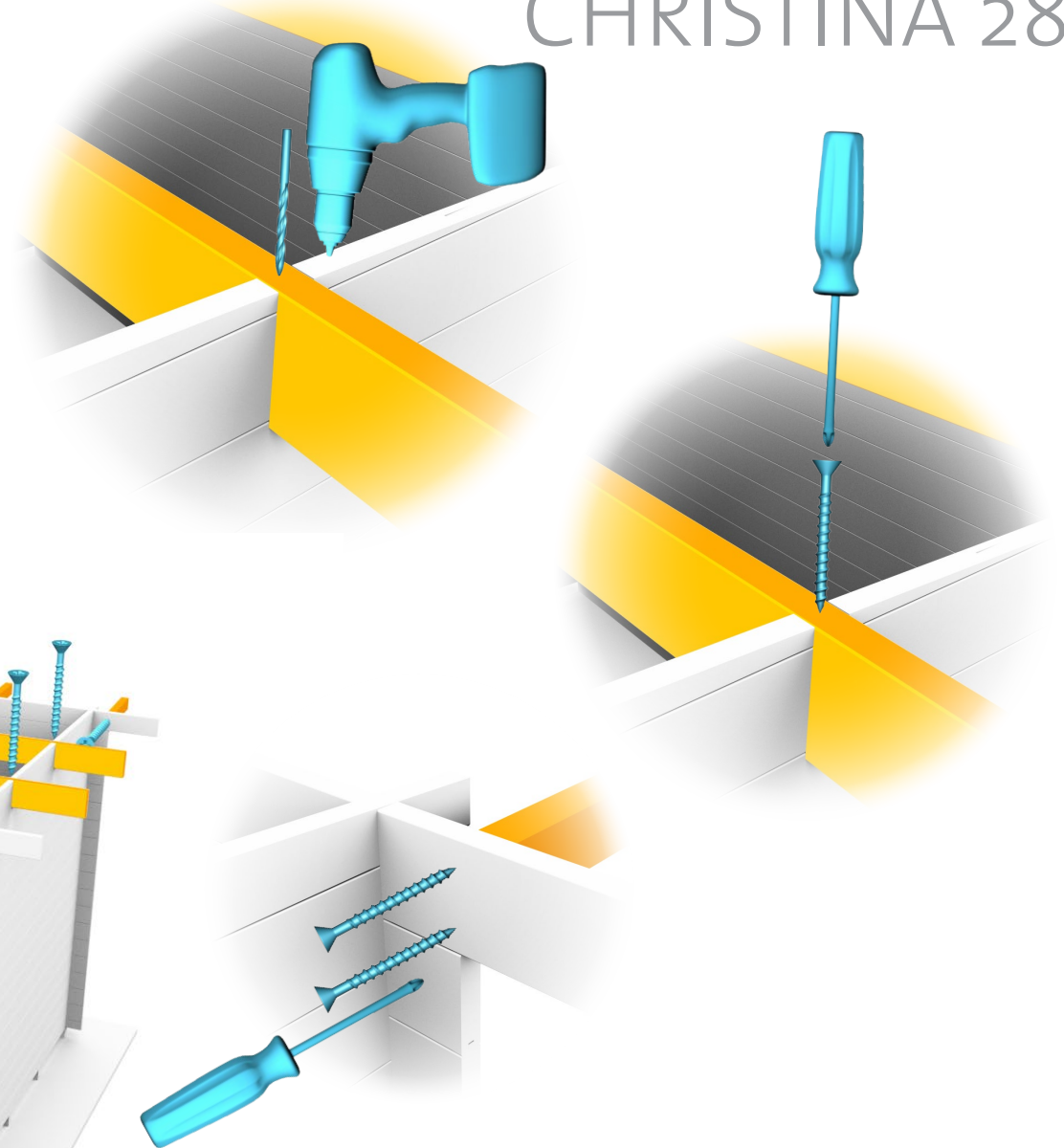
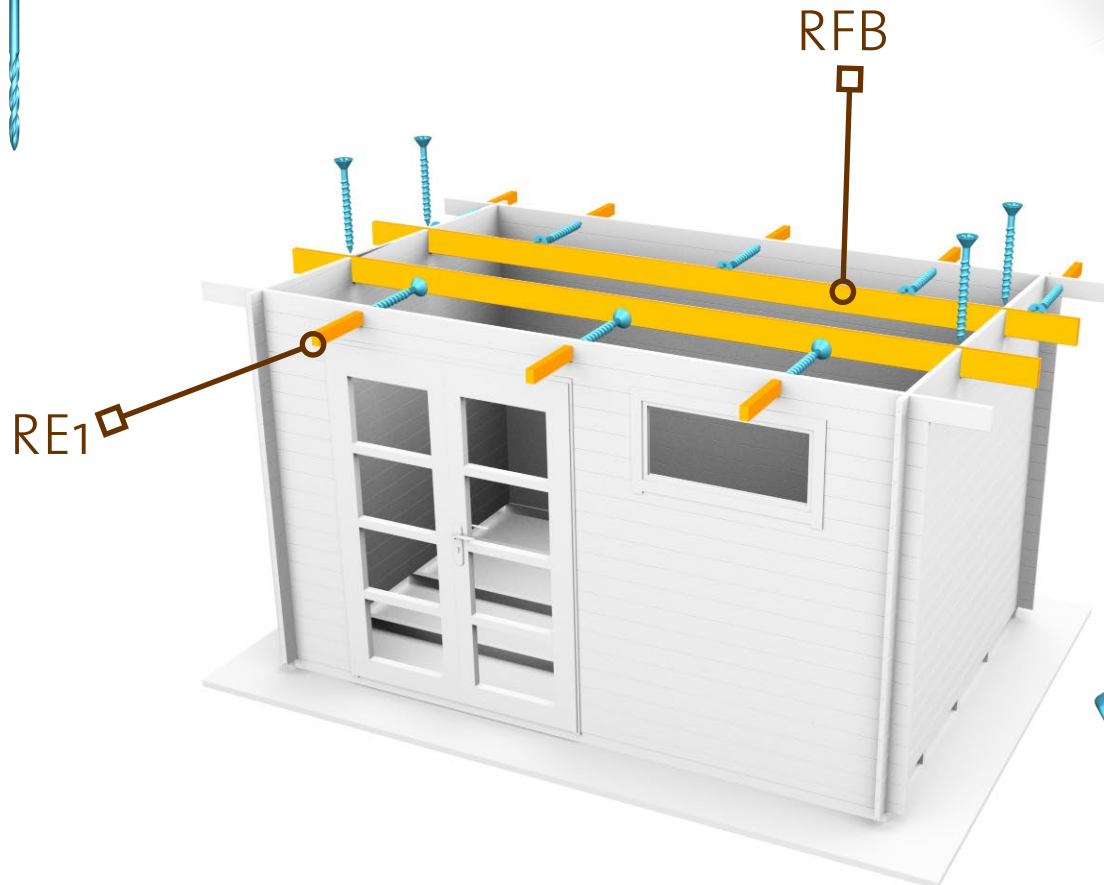


INSTALL THE **ROOF** PURLINS AND  
ROOF ELEMENTS 1, **ATTACH** THEM  
WITH SCREWS.

CHRISTINA 28

6x140  
× 20

Ø 4 mm

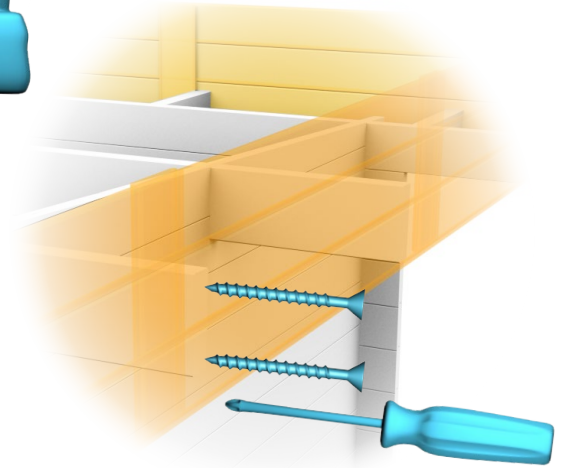
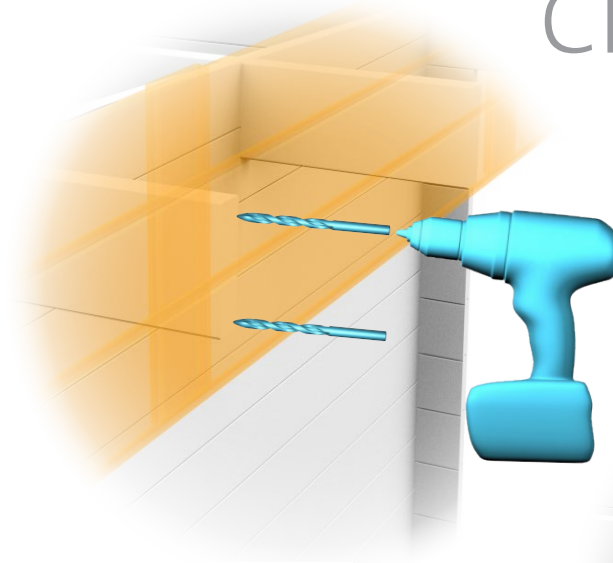
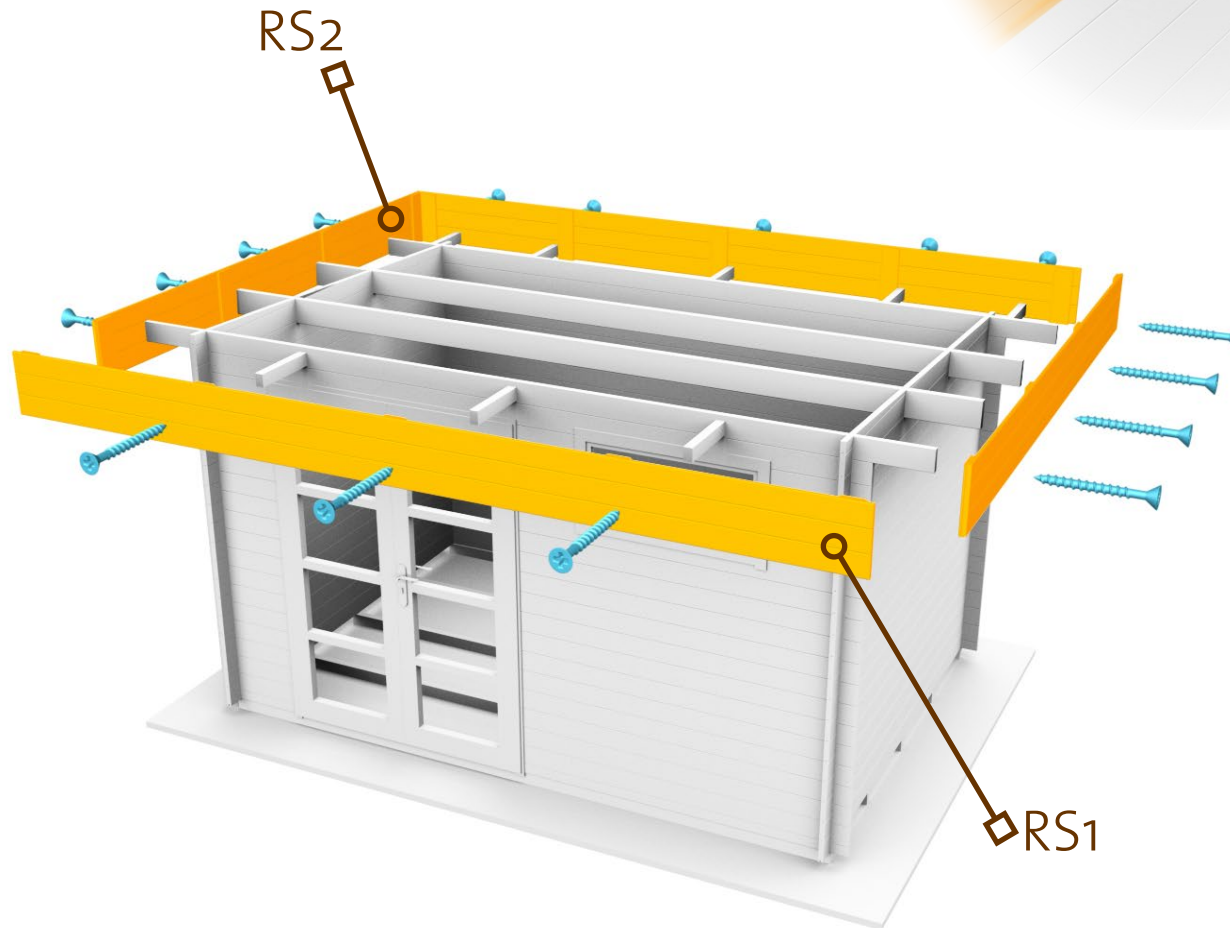


SCREW RS1 AND RS2 TO PURLINS AND ROOF ELEMENTS.

CHRISTINA 28

6x140  
× 32

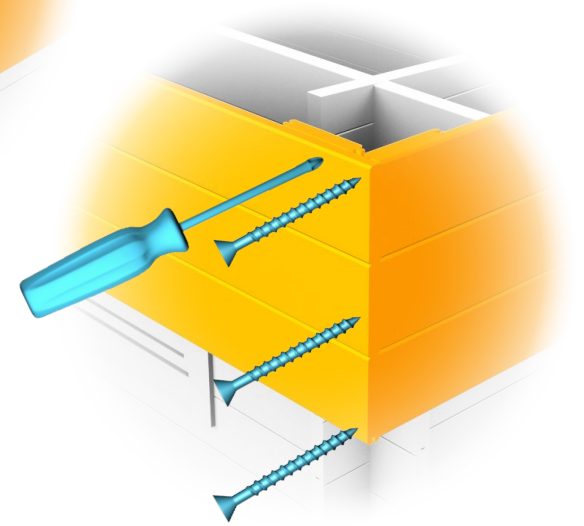
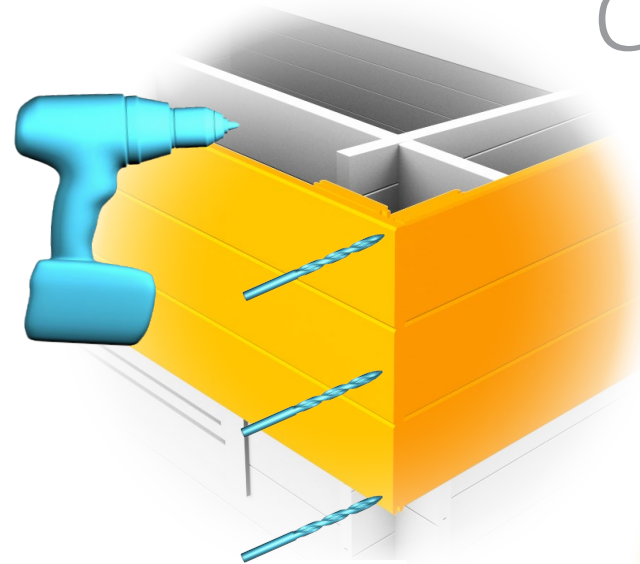
Ø 5 mm



USE SCREWS TO CONNECT  
ROOF SIDES.

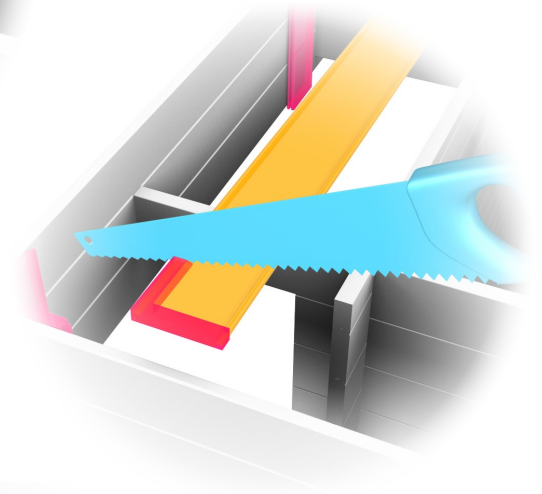
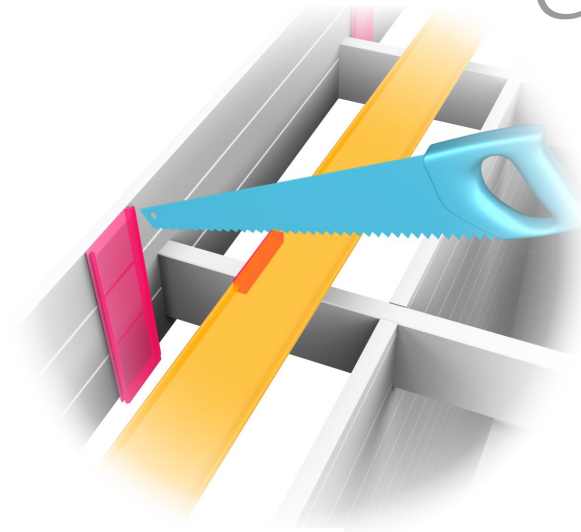
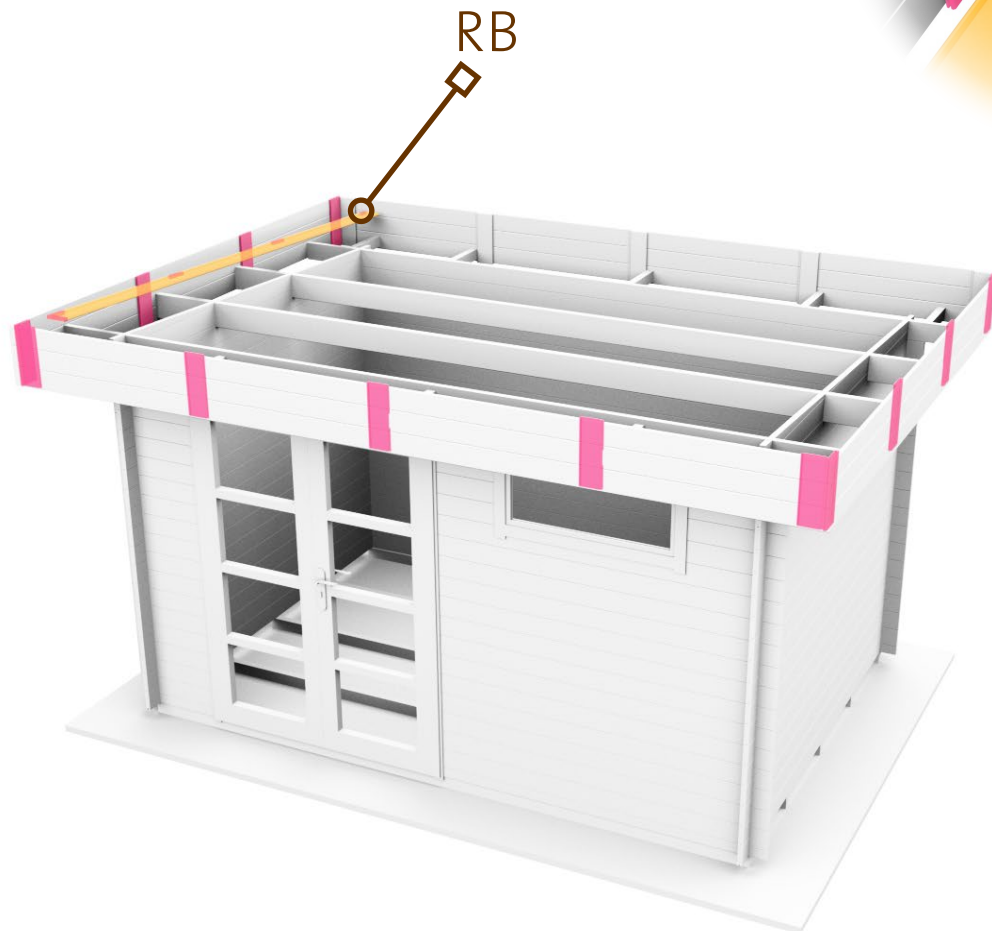
CHRISTINA 28

4x50 × 12  
Ø 4 mm



SAW ROOFBOARDS SO THAT IT IS POSSIBLE TO ATTACH THEM AGAINST ROOF SIDES.

CHRISTINA 28

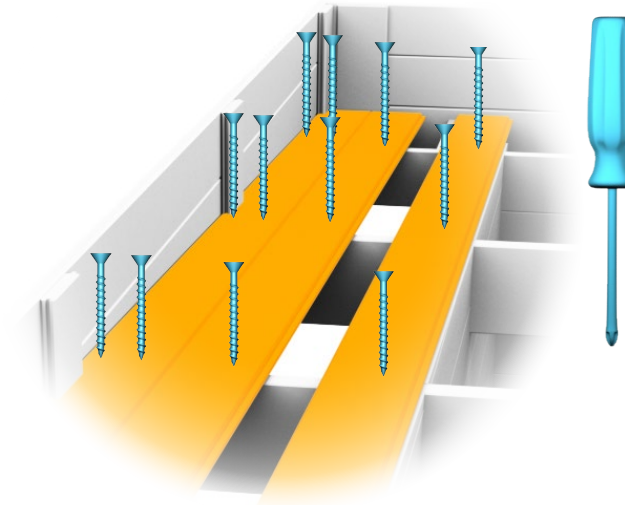
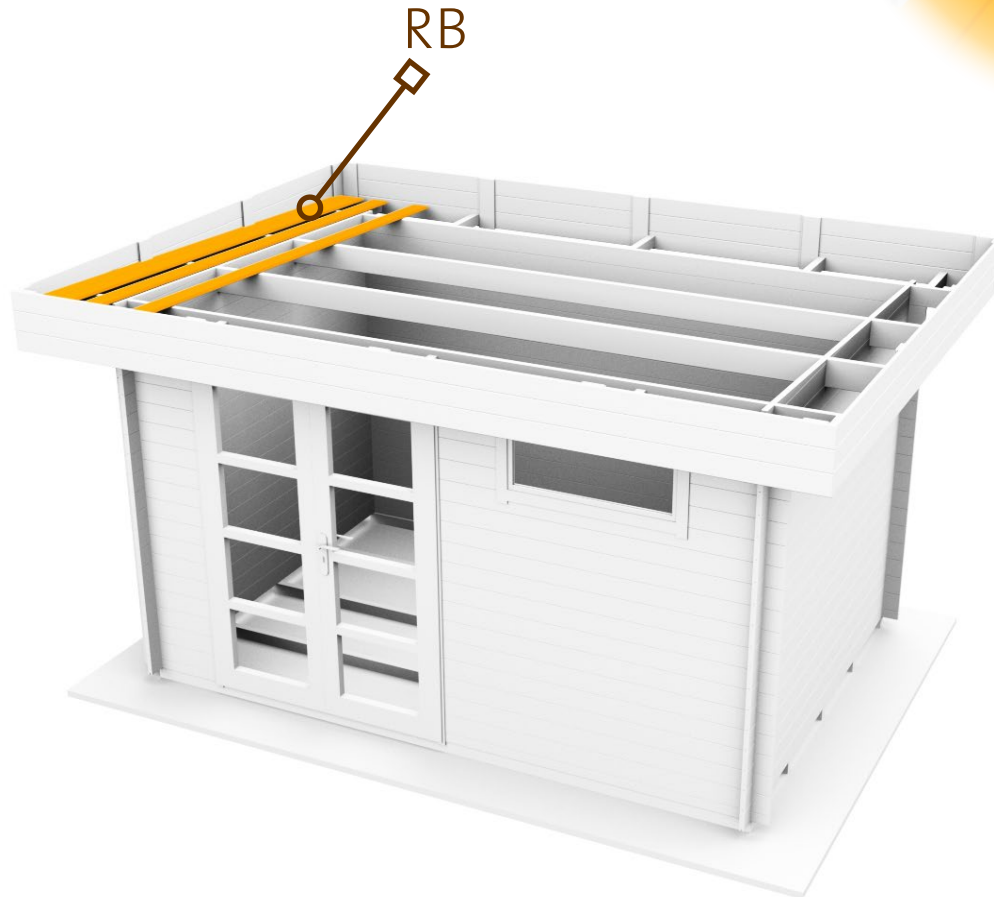


AT THE BACK OF THE HOUSE WILL BE A GAP BETWEEN THE ROOFSIDE AND THE ROOFBOARD 79%

PLACE THE FIRST **ROOFBOARD** FLUSH WITH THE **END** OF THE PURLINS AND ATTACH WITH 8 SCREWS, 4 **INTO** EACH NEXT.

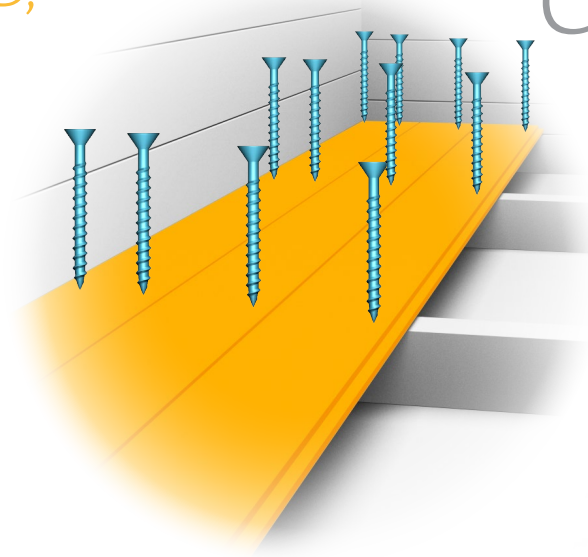
CHRISTINA 28

4x50  
× 172

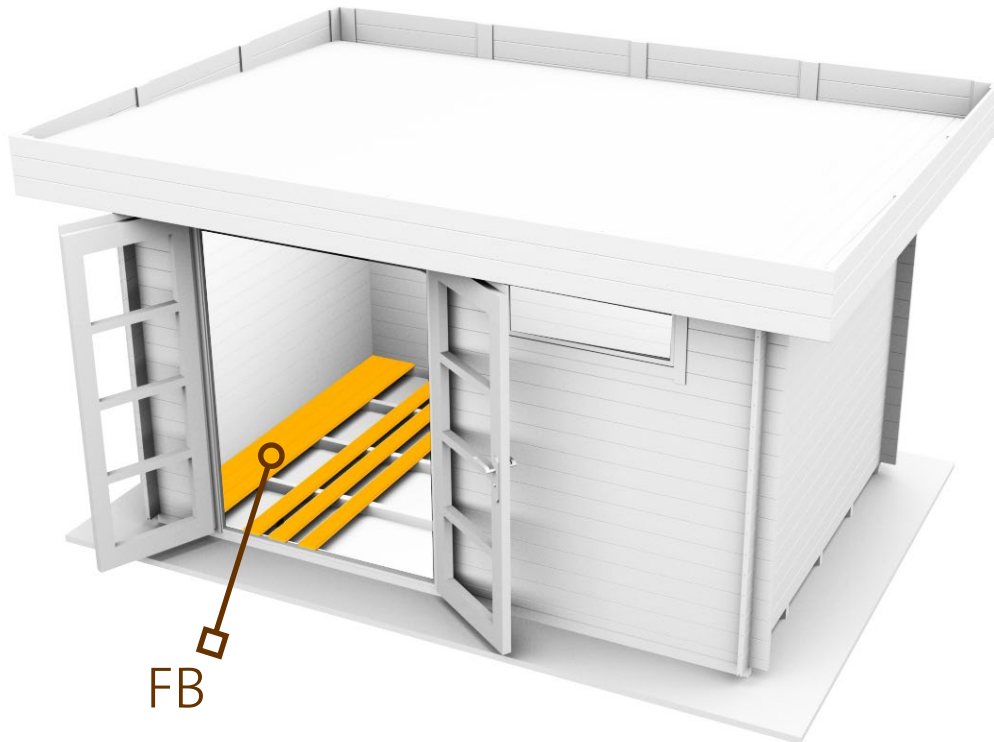
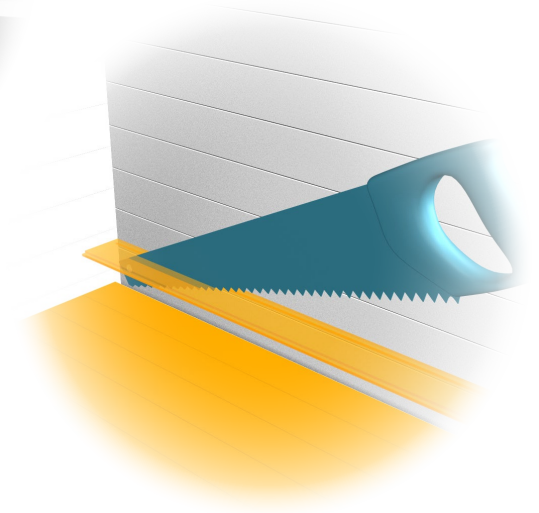


10 SCREWS INTO THE FIRST FLOORBOARD,  
5 INTO EACH NEXT, SAW THE  
LAST BOARD TO MAKE IT FIT.

4x50  
× 180

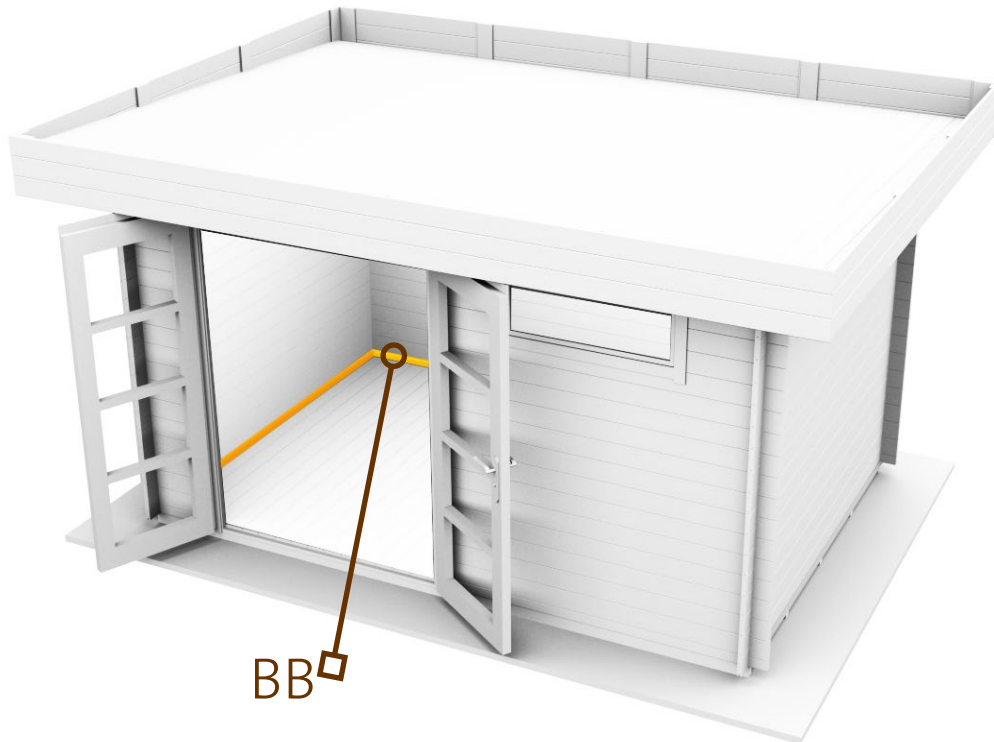
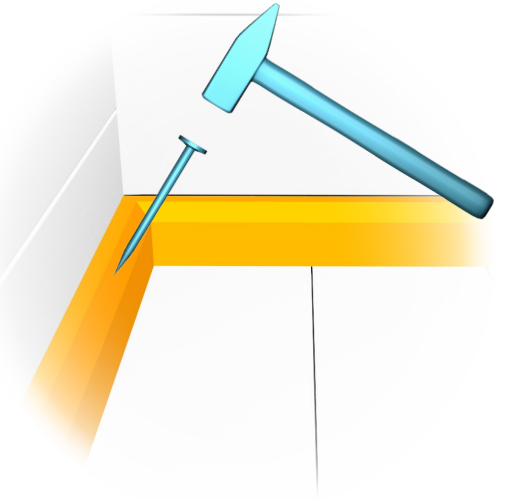
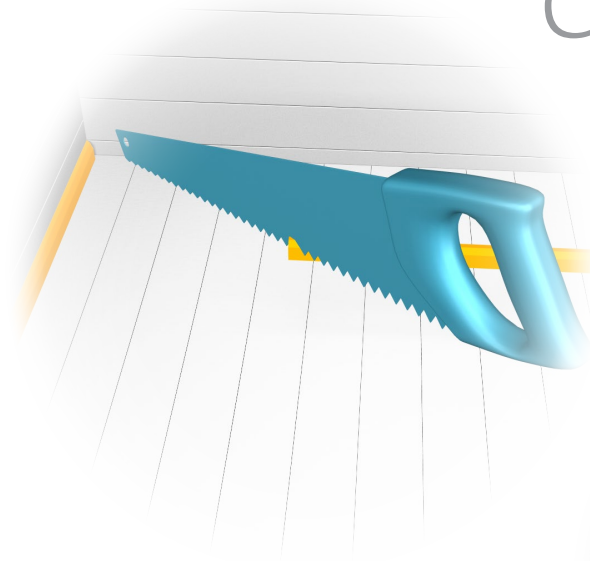


CHRISTINA 28



SAW THE **BASEBOARDS**  
AND ATTACH WITH NAILS  
AT **EVERY 0,5** METERS

1,4X40  
× 30



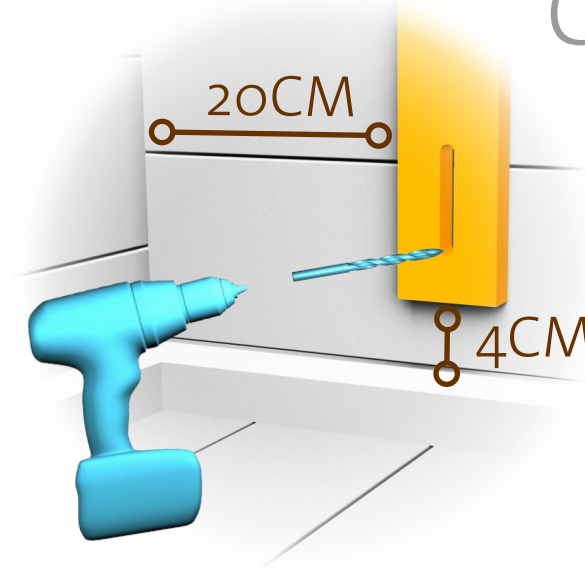
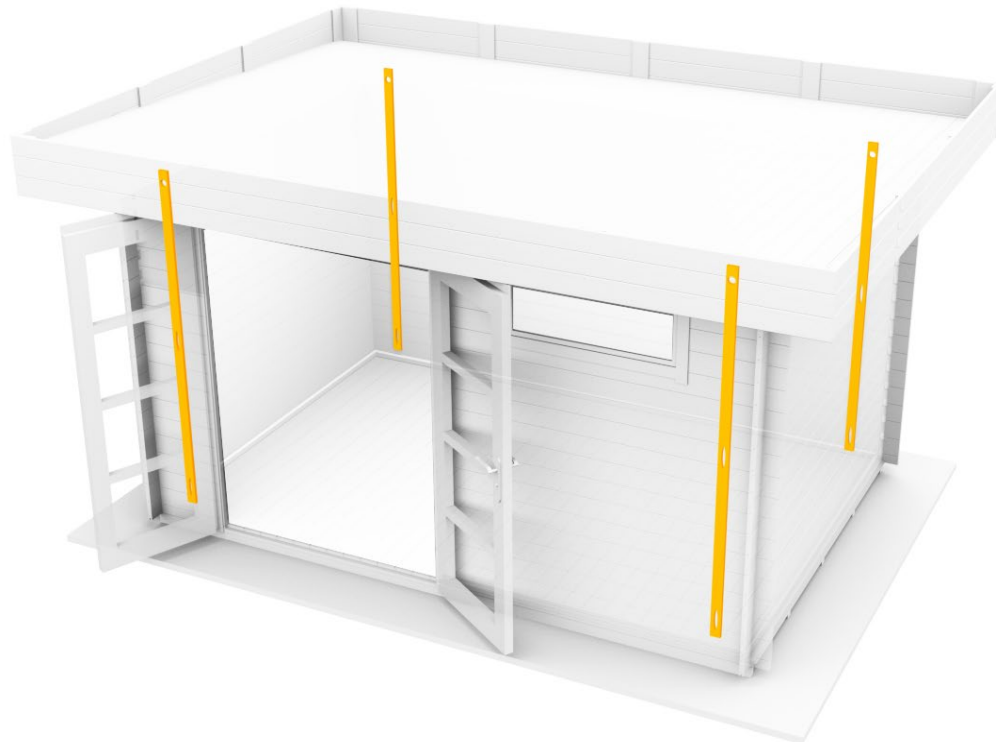
BB



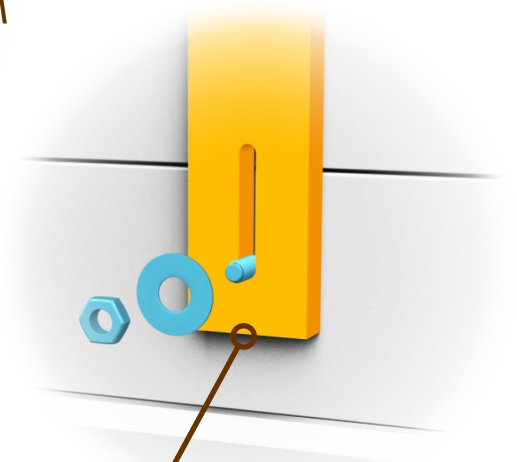
DRILL THROUGH THE WALL, HOLE MUST BE AT THE BOTTOM OF THE OVAL, ATTACH WITH BOLT.

M8x60 × 12

Ø 8 mm



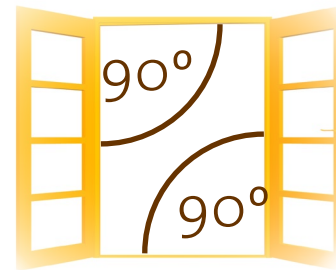
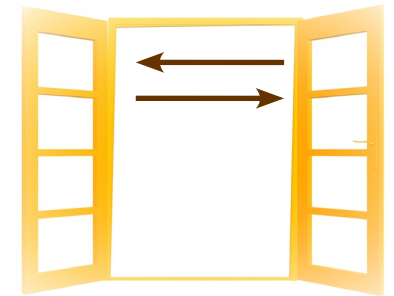
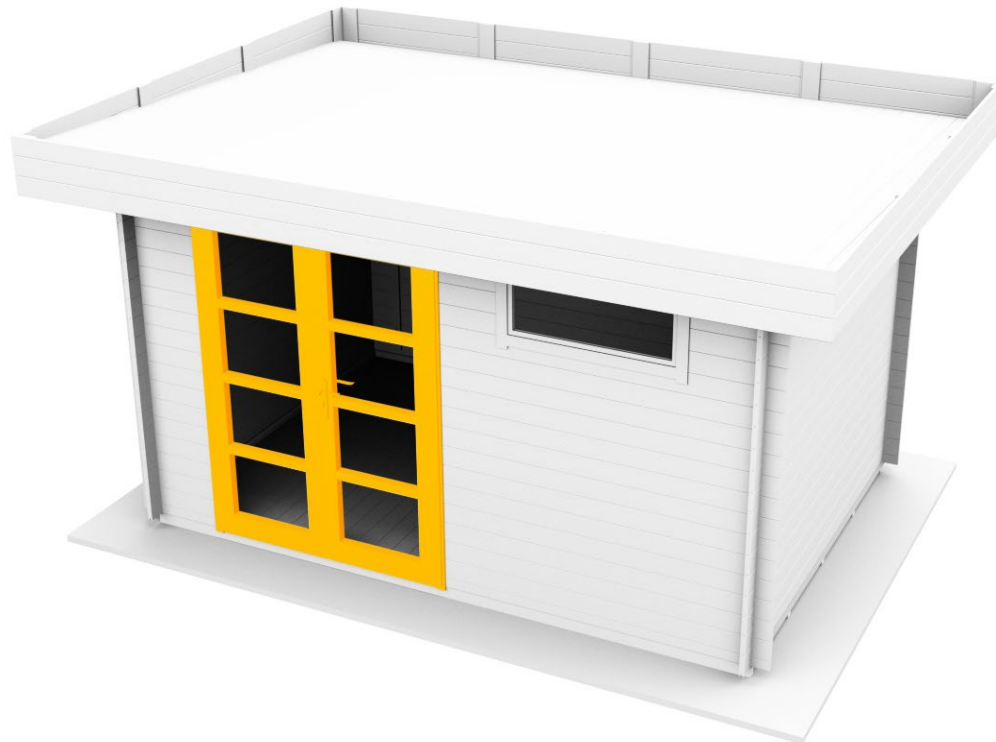
CHRISTINA 28



WINDBOARD

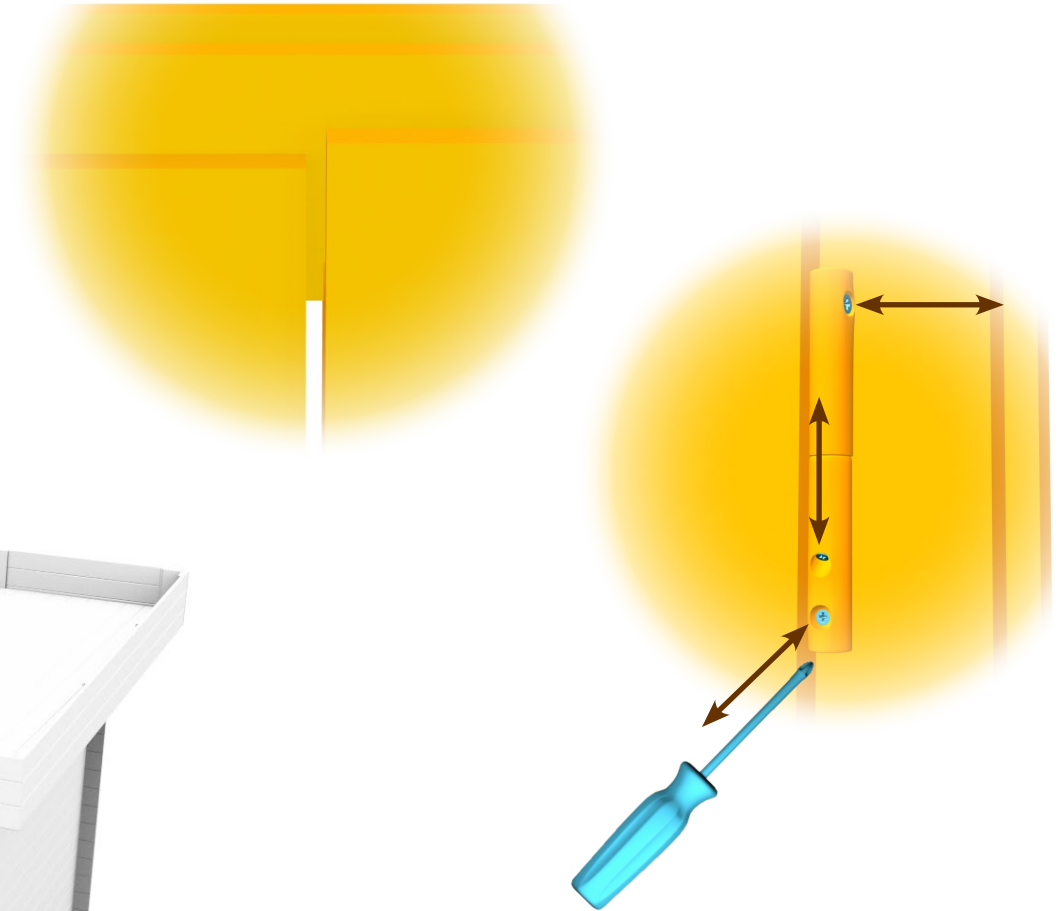
IF DOOR IS TILTED,  
PUSH THE DOOR FRAME SO  
THAT ALL CORNERS ARE 90°.

# CHRISTINA 28



IF **DOORS** ARE IN DIFFERENT HEIGHTS  
OR THERE IS A GAP **BETWEEN** THEM,  
**ADJUST** 3 SCREWS ON DOOR HINGES.

CHRISTINA 28



WHEN THE **HOUSE** IS ASSEMBLED, YOU SHOULD **COVER** THE TIMBER WITH **WOOD** PROTECTIVE SEAL, PAINT OR **STAIN** AS SOON AS POSSIBLE TO AVOID DETERIORATION TO THE **WOOD**.

CHRISTINA 28

